

DESCRIPTION

The **GEFCO Select #EE101-Series Light Fixture** is a submersible light fixture providing a wide angle (100 degrees included angle) flood light for low to medium height spray effects and waterfalls. The #EE101-Series Light Fixture is freestanding and can be moved after installation to direct the light source at the base of the spray effect. The height of the light fixture is adjustable from 11.75" to 14.75". The maximum wattage is 250 Watts for the 120 Volt and 100 Watts for the 12 Volt fixture.

TYPICAL SPECIFICATIONS:

- * **GEFCO Select #EE101** Freestanding Submersible Light Fixture:
 - cast bronze housing, rock guard.
 - adjustable tripod stand and yoke.
 - U.L. Listed.
 - 250 Watt max., 120 V.
 - 9 feet of 16/3 cable.
 - clear tempered glass lens.
 - lamp required PAR 38 Standard Base.
 - **LAMP NOT INCLUDED.**

- * **GEFCO Select #EE101LV** Freestanding Low Voltage Submersible Light Fixture:
 - cast bronze housing, rock guard.
 - adjustable tripod stand and yoke.
 - U.L. Listed.
 - 100 Watt max., 12 V.
 - 9 feet of 16/3 cable.
 - clear tempered glass lens.
 - lamp required PAR 38 Standard Base.
 - **LAMP NOT INCLUDED.**



OPTIONAL ITEMS:

LAMP - The lamp is not ordinarily supplied but can be upon request. Please state voltage and wattage. Available in 75W, 150W and 250W PAR38.

COLORED LENSES - Please state lens color if other than clear. Available colors are red, green, amber, blue or turquoise.

CORD LENGTH - Cable longer than 9'-0" is optional and can be supplied at an extra cost, however, only 10'-0" of exposed cable is permissible by NEC.

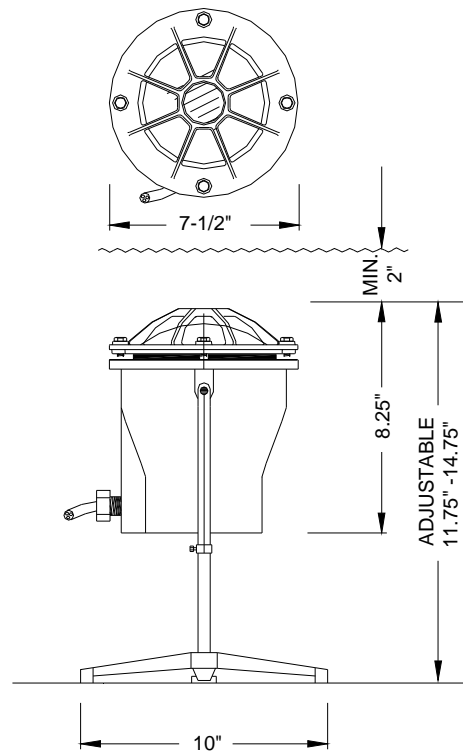
THERMAL CUT-OFF: - Specify +07 for factory installed integral thermal cut-off inside fixture.

REPLACEMENT PARTS:

- A Lens (specify color).
- B Lens gasket.
- C Facing.
- D Facing bolt set.

IMPORTANT

The designers, installers and end users utilizing the electrical equipment described herein assume full responsibility for the compliance with the N.E.C and it's applicable articles, intents and consequences. Where the manufacturer and/or the supplier of the electrical equipment described herein does not control the application or usage, he assumes no responsibility whatsoever for any consequences arising out of the application, installation and/or usage of this or any other equipment and/or materials



SCALE: NONE

IMPORTANT INFORMATION

The NEC Article 680-51(D) requires that "electric equipment which depends on submersion for safe operation shall be protected against overheating by a low water cutoff or by other approved means when not submerged." Other approved means are either GEFCO #EE115-Series or #EE140-Series water level control devices.

IMPORTANT

Dimensions and/or Materials subject to change without notice