

DESCRIPTION

The **GEFCO Select #EE114-425 Wind Sensor** is used on fountains with medium to high elevation, jet-originated spraying effects. This device measures the wind velocity and relays that information to a **GEFCO Model #EE140 Fountain Controller**, PLC or BMS in order to activate control valves, VFDs and/or motor starters to assist in preventing wind from blowing water out of the fountain area. This sensor emits a set of analog signals from selectable standard communications protocols of 0-1VDC, frequency, RS 232, RS 422, RS 485 and others. The sensor has NO MOVING parts and provides accurate proportional information from 0-150MPH. These units are normally built in to the fountain area and are to be mounted separately a minimum of 10ft above ground. Optional heating system available.

TYPICAL SPECIFICATIONS

***GEFCO Select #EE114-425 Wind Sensor:**

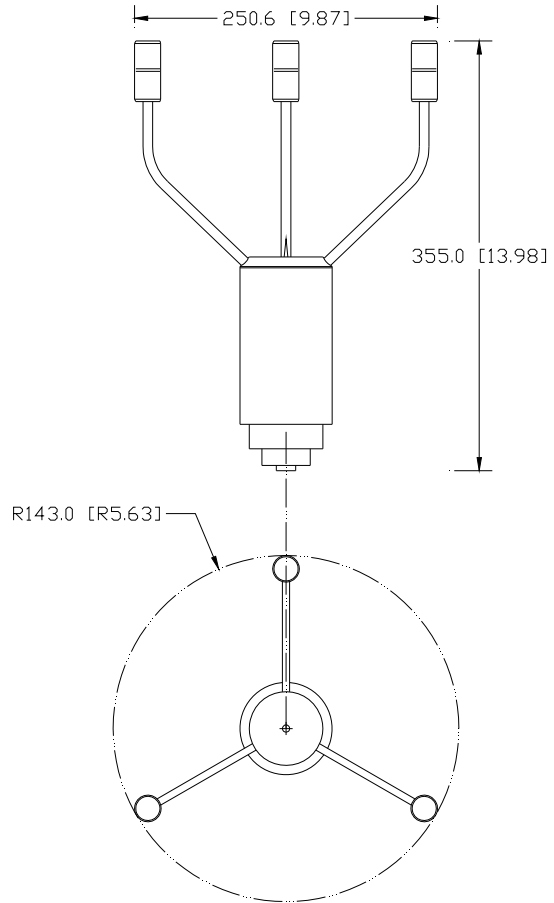
- SST Body and sensor arms.
- 10-15VDC input.
- Analog Output: 0-1.0VDC output (8 mV/ mph).
- Analog output: 5 Hz/ mph
- Output impedance: 10 kOhm
- RS232, RS422, RS485 in 4 formats:
- Baud rate: 1,200 to 19,200 bit/ sec.
- Update rate: 1/sec.
- signal proportional from 0-150 MPH
- Resolution: 0.1 MPH.
- Wind direction 359 Degrees (1-5VDC)
- Output impedance: 24 kOhm.

OPTIONS:

- Cables: Cable types must be specified based on signal type. to be used. Consult factory for selection when ordering.
- Heated models available for frosty areas (36VDC).

REPLACEMENT PARTS

- NONE



IMPORTANT

Dimensions and/or Materials subject to change without notice

IMPORTANT

The designers, installers and end users utilizing the electrical equipment described herein assume full responsibility for the compliance with the N.E.C and it's applicable articles, intents and consequences. Where the manufacturer and/or the supplier of the electrical equipment described herein does not control the application or usage, he assumes no responsibility whatsoever for any consequences arising out of the application, installation and/or usage of this or any other equipment and/or materials