

**DESCRIPTION**

The **GEFCO Select #EE119-Series Cord Seal Sleeve Fitting** provides an entry point for submersible cable into a pool from a conduit feed. The Cord Seal Sleeve Fitting is constructed of brass, bronze and is stainless steel fitted. The fitting is affixed to the end of conduit and is then embedded into concrete providing a rigid water proof entry into the pool. The cable attached to the submersible electrical device is then fed through a GEFCO Select #EE112-Series Cord Seal and into the conduit for pulling and connection into a junction box. The Cord Seal then screws into the embedded sleeve fitting to waterproof the connection and preventing migration of water through the conduit.

When specifying, please use the following suffix to ensure the proper fitting is provided:

**GEFCO Select #EE119-**

- 1 1/2" female connections - 2.362" dia. - 1.575" length.
- 2 3/4" female connections - 2.362" dia. - 1.654" length.
- 3 1" female connections - 2.953" dia. - 1.772" length.
- 4 1-1/4" female connections - 3.937" dia. - 1.969" length.
- 5 1-1/2" female connections - 3.937" dia. - 2.362" length.
- 6 2" female connections - 4.960" dia. - 3.150" length.
- 7 3" female connections - 6.50" dia. - 5.150" length.

**NOTE:**

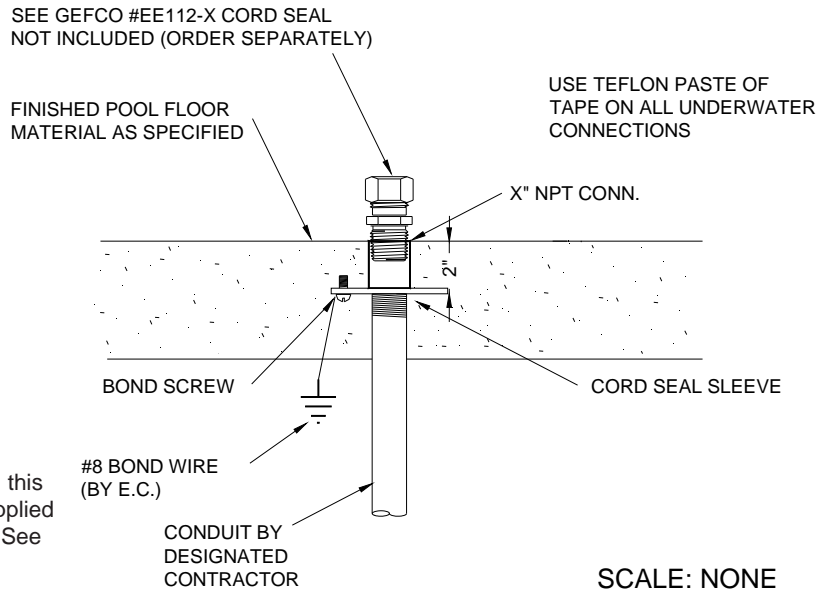
- The cord seal that is needed in conjunction with this fitting to provide watertight connection is not supplied with this fitting and must be ordered separately. See GEFCO #EE112 Series Cord Seals.
- **Remember** to use TEFLON paste or tape on all threaded fittings for a water proof seal.
- **DO NOT** connect any galvanized or steel fittings to any of these fittings.

**TYPICAL SPECIFICATIONS:**

- \* **GEFCO Select #EE119-XX** Cord Seal Sleeve Fitting:
  - made of brass and bronze.
  - water stop flange.
  - bonding screw.
  - XX" female N.P.T. connection (specify).

**IMPORTANT**

*The designers, installers and end users utilizing the electrical equipment described herein assume full responsibility for the compliance with the N.E.C and it's applicable articles, intents and consequences. Where the manufacturer and/or the supplier of the electrical equipment described herein does not control the application or usage, he assumes no responsibility whatsoever for any consequences arising out of the application, installation and/or usage of this or any other equipment and/or materials*



**IMPORTANT**

*Dimensions and/or Materials subject to change without notice*