

**DESCRIPTION**

The **GEFCO Select #EE135LV Low Voltage Wet/Dry Light Fixture** is constructed to provide medium dispersion of light and color rendition for low to medium range height spray effects or waterfalls. The light fixture is provided with bronze rock guard and ring stand assembly for pool floor mounted applications. The adjustability for light projection is at 120 degrees in any direction off of vertical. A clear lens is normally provided. Colored lenses are available when using white LED lamps. The height of the light fixture is fixed from the factory (standard height is at 7 7/8"). Variance in the height can be achieved by specifying desired height. The U.L. Listing limits this fixture to 50 Watts at 12 Volt. This unit is fitted for use with conventional MR16 or MR16 LED lamps. Also available in niche mounted configuration (see EE135N LV type fixture).

**TYPICAL SPECIFICATIONS:**

- \* **GEFCO Select #EE135LV** Low Voltage Freestanding Wet/Dry Light Fixture:
  - cast bronze housing, rock guard, adjustable ring stand.
  - U.L. Listed.
  - 50 watt, 12 V. maximum.
  - 9 feet of 16/3 cable.
  - clear tempered glass lens.
  - red silicon lens gasket.
  - lamp required MR-16, 12VAC.
  - neoprene o-ring base seal.
  - for use in wet or dry conditions.
  - **MR16 50W 12VAC LAMP INCLUDED.**



LISTED

**OPTIONAL ITEMS:**

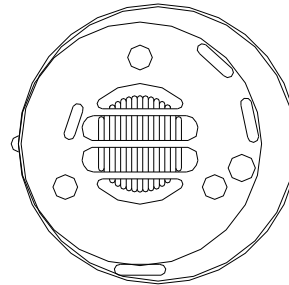
- Colored Lenses: Colors are white, red, amber, blue or green.
- Colored Lamps: Colors are white, red, amber, blue or green.
- Special Lamps: Dichroic lamps are available on special order.
- CORD LENGTH - Cable longer than 9'- 0" is optional and can be supplied at an extra cost, however, only 10'- 0" of exposed cable is permissible per NEC.
- THERMAL CUT OFF- Specify (+07) for factory installation of internal thermal cut off inside fixture.

**REPLACEMENT PARTS:**

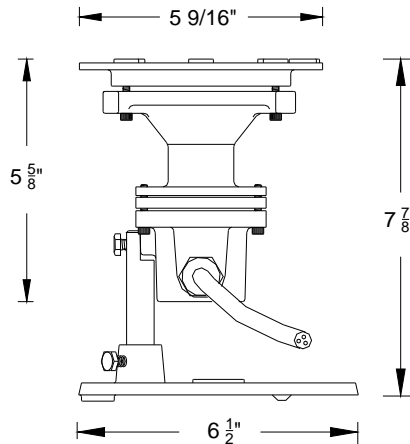
- A Lens.
- B Lens gasket.
- C Base O-ring
- D Face ring
- E Face ring ALLEN screw set.
- D Base ALLEN screw set.

**IMPORTANT**

*The designers, installers and end users utilizing the electrical equipment described herein assume full responsibility for the compliance with the N.E.C. and it's applicable articles, intents and consequences. Where the manufacturer and/or the supplier of the electrical equipment described herein does not control the application or usage, he assumes no responsibility whatsoever for any consequences arising out of the application, installation and/or usage of this or any other equipment and/or materials.*



PLAN VIEW



SCALE: NONE

**IMPORTANT**

*Dimensions and/or Materials subject to change without notice*

**IMPORTANT INFORMATION**

*The NEC Article 680-51(D) requires that "electric equipment which depends on submersion for safe operation shall be protected against overheating by a low water cutoff or by other approved means when not submerged." Other approved means are either GEFCO #EE115-Series or #EE140-Series water level control devices.*