

DESCRIPTION

The **GEFCO Select #EE135 Submersible Light Fixture** is constructed to provide medium dispersion of light and color rendition for low to medium range height spray effects or waterfalls. The light fixture is provided with bronze rock guard and ring stand assembly for pool floor mounted applications. The adjustability for light projection is at 120 degrees in any direction off of vertical. A clear lens is normally provided. Colored lenses are available. The height of the light fixture is fixed from the factory (standard height is at 7 7/8"). Variance in the height can be achieved by specifying desired height. The U.L. Listing limits this fixture to 250 Watts at 120 VAC. This unit is fitted for use with T4 Mini-can Halogen 250W MAX. lamps. Recommended lamp: QCL 200 200W 130VAC T4 Mini-can Halogen lamps. Also available in niche mounted configuration (see EE135N type fixture).

TYPICAL SPECIFICATIONS:

- * **GEFCO Select #EE135** Freestanding Submersible Light Fixture:
 - cast bronze housing, rock guard, adjustable ring stand.
 - U.L. Listed.
 - 250 watt, 120 VAC maximum.
 - 9 feet of 16/3 cable.
 - clear tempered glass lens.
 - red silicon lens gasket.
 - neoprene o-ring base seal.
 - 200W T4 Mini-can 130VAC Lamp INCLUDED.
 - **FOR USE ONLY IN SUBMERGED CONDITIONS.**



OPTIONAL ITEMS:

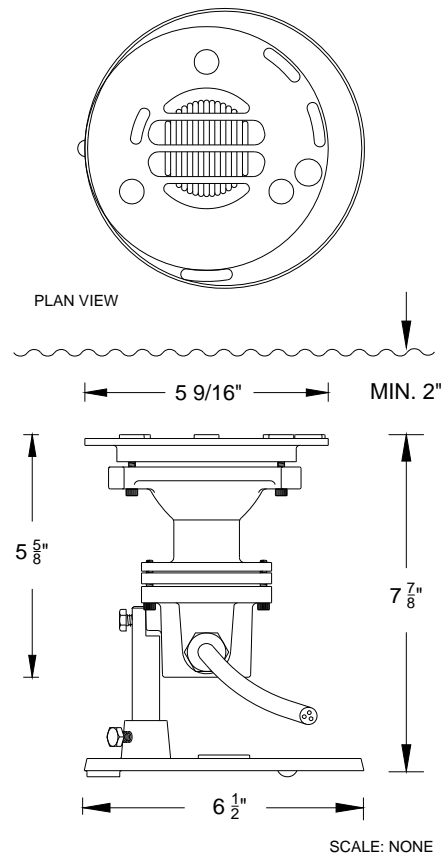
- Alternate Wattages available: 100W, 150W and 250W 130VAC.
- Colored Lenses: Available in red, amber, blue or green.
- CORD LENGTH - Cable longer than 9'- 0" is optional and can be supplied at an extra cost, however, only 10'- 0" of exposed cable is permissible per NEC.
- **THERMAL CUT OFF- Specify (+07) for factory installation of internal thermal cut off inside fixture. CAN NOT be installed in the field.**

REPLACEMENT PARTS:

- A Lens.
- B Lens gasket.
- C Base O-ring
- D Face ring
- E Face ring ALLEN screw set.
- D Base ALLEN screw set.

IMPORTANT

The designers, installers and end users utilizing the electrical equipment described herein assume full responsibility for the compliance with the N.E.C. and it's applicable articles, intents and consequences. Where the manufacturer and/or the supplier of the electrical equipment described herein does not control the application or usage, he assumes no responsibility whatsoever for any consequences arising out of the application, installation and/or usage of this or any other equipment and/or materials.



IMPORTANT

Dimensions and/or Materials subject to change without notice

IMPORTANT INFORMATION

The NEC Article 680-51(D) requires that "electric equipment which depends on submersion for safe operation shall be protected against overheating by a low water cutoff or by other approved means when not submerged." Other approved means are either GEFCO #EE115-Series or #EE140-Series water level control devices.