

**DESCRIPTION**

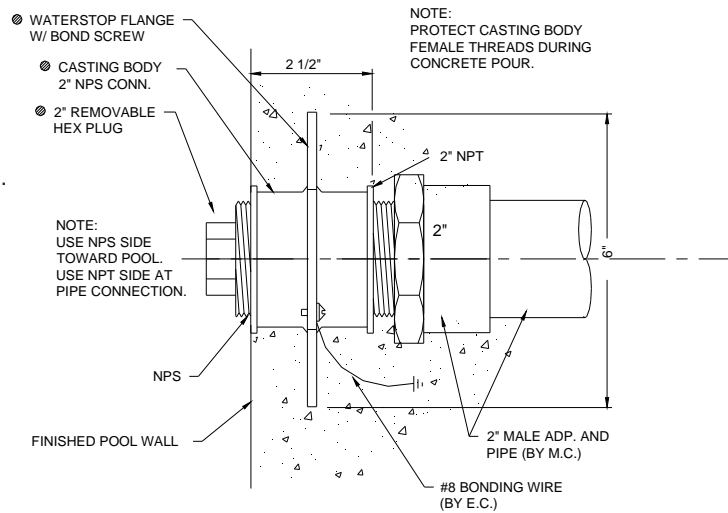
The **GEFCO Select #PE103 Drain Fitting** is used in smaller pools where volumes of water do not exceed 650 gallons or if quick draining of larger pools is not a necessity. A base of bronze with integral water stop flange is to be embedded into pool floor and possesses 2" NPT connections at either end. The removable brass plug has 2" male threads for a tight seal.

**TYPICAL SPECIFICATIONS:**

- \* **GEFCO Select #PE103 Pool Drain Fitting:**
- cast bronze body with integral water stop flange.
- 2" brass square plug with 2" NPT male connection.
- bonding screw.
- 2" female NPT/ NPS base connection.

**REPLACEMENT PARTS:**

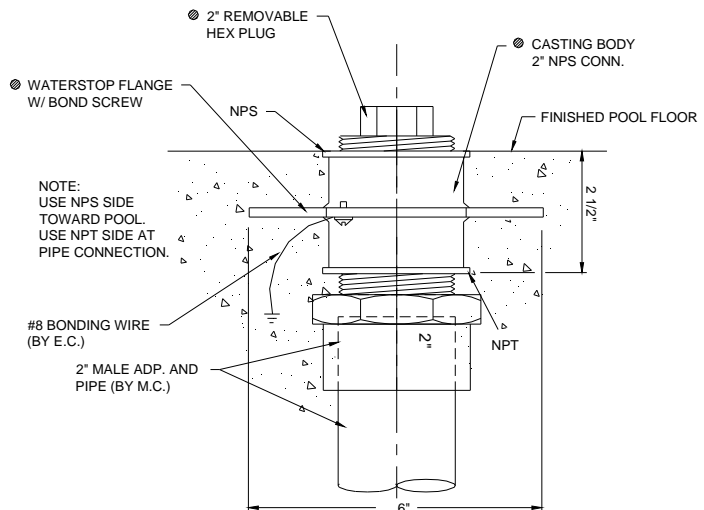
- 1 2" Drain plug.



**IMPORTANT**

- use TEFLON tape or paste everywhere.
- protect threads during concrete pour.
- Use temporary PVC HEX plug

NOTE:  
 USE TEFLON PASTE OR TAPE EVERYWHERE



SCALE: NONE

**IMPORTANT**

*Dimensions and/or Materials  
 subject to change without notice*