

DESCRIPTION

The **GEFCO Select #PE105-4A Adjustable Niche Overflow Fitting** is placed in walls above static water level for over fill protection, usually in the lowest pool.

Bronze construction with integral grounding screw, the overflow fitting has a 4" female connection and is normally connected directly into the main drain line, via 4" piping. Slotted face plate prevents floating debris from entering drain line. One overflow fitting will accommodate approximately 500 square feet of pool surface area. More may be needed in case of larger pools.

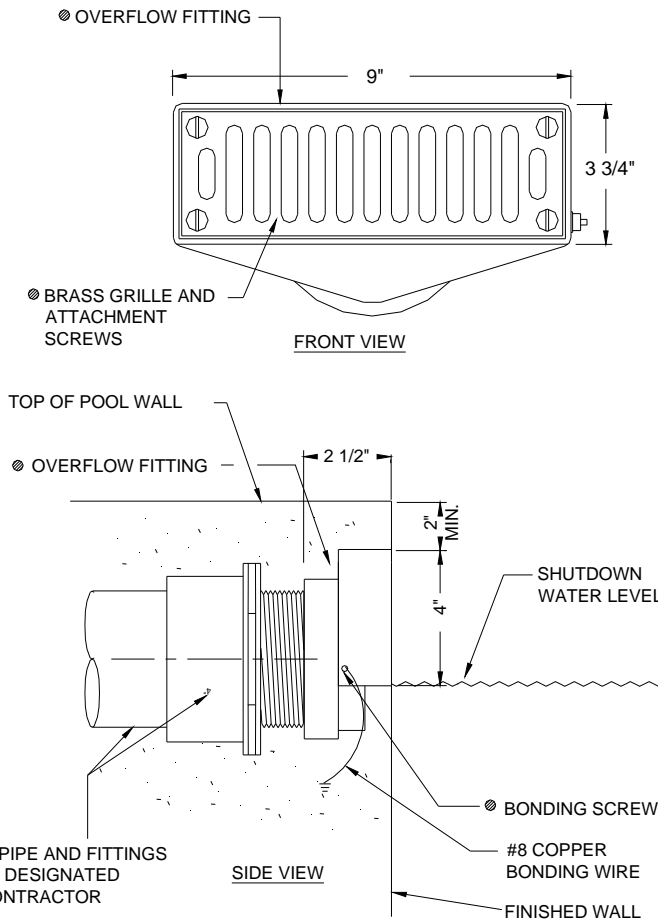
The GEFCO Select #PE105-4A Overflow Fitting features an adjustable overflow level plate in order to better hide the fitting architecturally.

TYPICAL SPECIFICATIONS:

- * **GEFCO Select #PE105-4A** Wall Niche Overflow:
 - cast bronze body, brass tube and SST fitted
 - slotted grate with 11.5 sq. inches open area.
 - adjustable weir plate.
 - 3 - 3/4" x 9" rectangular face.
 - bonding screw.
 - 4" female N.P.T. connection.

Replacement Parts

- 1 Grill Plate
- 2 Grill Plate Screws



IMPORTANT

Dimensions and/or Materials subject to change without notice

SCALE: NONE
DIMENSIONS SUBJECT TO CHANGE ANYTIME