

DESCRIPTION

The **GEFCO Select #PM120EQK Series All THERMO-PLASTIC Pump**, heavy-duty commercial construction, provides you with trouble-free operation. The integral pump case and mounting base leaves the motor freely suspended and the motor frame and bearings free of stress. Whenever service is required, just remove four motor bolts plus 6 flange bolts and all working parts are in your hand. No disconnecting long pipe lines, no jacking up and sawing off anchor bolts, just simple, easy to perform mechanics.

ADDITIONAL QUALITY FEATURES:

* Standard Flanged Connection, 6" Suction and 4" Discharge, Extra Close Coupled-impeller set 4" closer to supporting bearing than most "so-called close coupled pumps, yet with open air between pump and motor.

* Self-Priming - no need for total or complete flooded suction. GEFCO always recommends designing flooded end suction!

* Spacious Hair and Lint Strainer - when used, the heavy gauge stainless steel basket strainer may have an open area greater than 14 times suction port area. (Pump may be purchased with or without hair and lint strainer.)

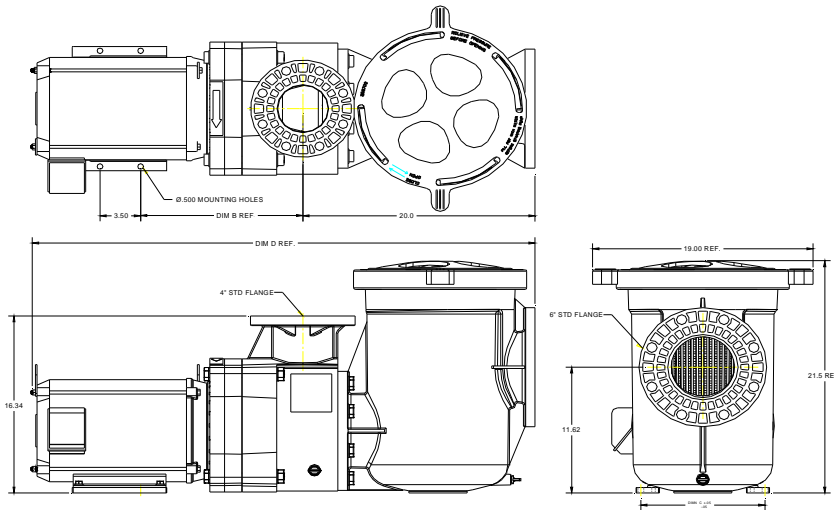
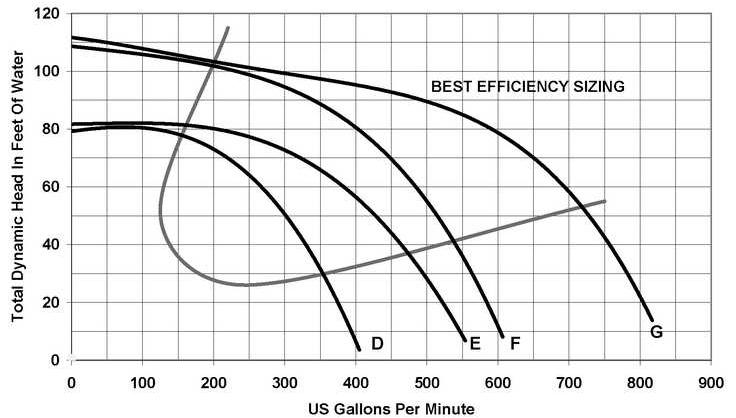
* Motor - 3450 RPM 60-50 HZ, 208, 230-460 V available in 5 HP, 7.5 HP, 10 HP and 15 HP models.

IMPORTANT

Dimensions, Manufacturers and/or Materials subject to change without notice

TYPICAL SPECIFICATIONS:

- * **GEFCO Select #PM-120EQK Series Filter Pump:**
- XX HP, XX VAC, 3 phase, 3450 RPM delivering XX GPM at XX ft TDH (specify).
- Made of Injection Molded High Temperature Thermoplastic
- XX HP (specify)
- XX Volts (specify) YY Phase (specify)
- Intergral basket strainer
- 2-1/2" NPT Suction, 2 NPT Discharge.
- 2 ea. winter drains



PUMP MODELS

3-PHASE Models

CURVE

GEFCO #PM122EQK	5 HP	D
GEFCO #PM124EQK	7.5 HP	E
GEFCO #PM126EQK	10 HP	F
GEFCO #PM128EQK	15 HP	G



LISTED