

DESCRIPTION

The **GEFCO Select #SE137-Series Adjustment Flange** provides a vertical adjustment of spray effects after installation. The flange will enable a total of 10 degrees of adjustment to ensure that the spray effect attached will spray at a true 90 degree vertical. To adjust the tightening and loosening of the set bolts is required. For larger degree of adjust ability, use GEFCO Select #SE138-Series Swivel Unions.

The GEFCO Select #SE137-Series Adjustment Flange is constructed of bronze with stainless steel bolts. It is provided with one male threaded connection and one female connection. See the chart below for sizes.

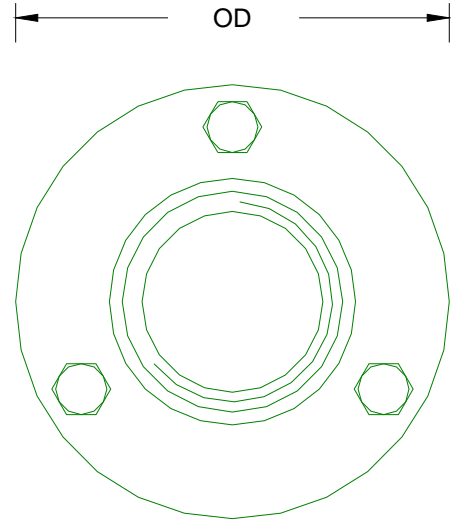
When specifying, please use the following suffix to ensure the proper fitting is provided:

- GEFCO Select #SE137-XX
- 05 1/2" male and female N.P.T. connections.
- 07 3/4" male and female N.P.T. connections.
- 10 1" male and female N.P.T. connections.
- 12 1-1/4" male and female N.P.T. connections.
- 15 1-1/2" male and female N.P.T. connections.
- 20 2" male and female N.P.T. connections.
- 30 3" male and female N.P.T. connections.
- 40 4" male and female N.P.T. connections.
- 60 6" male and female N.P.T. connections.

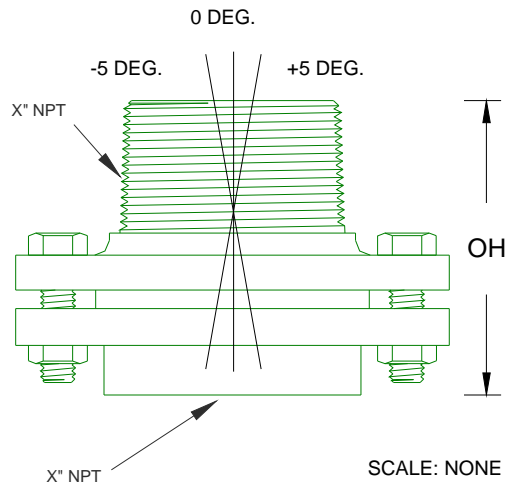
TYPICAL SPECIFICATIONS:

* **GEFCO Select #SE137-XX** Adjustment Flange:

- cast bronze and stainless steel fastened.
- 5 degree adjustable from vertical.
- XX" male and female NPT connections.



TOP VIEW



#SE137-	-05	-07	-10	-12	-15	-20	-25	-30	-40	-60
T	1/2" NPT	3/4" NPT	1" NPT	1 1/4" NPT	1 1/2" NPT	2" NPT	2 1/2" NPT	3" NPT	4" NPT	6" NPT
OD	3.310"	3.310"	3.310"	4.330"	4.330"	4.645"	5.120"	6.375"	6.688"	12.130"
OH	2.244"	2.244"	2.450"	2.560"	2.760"	3.150"	3.150"	3.544"	3.780"	4.090"
ADDITION	0.50"	1.50"	1.57"	1.77"	1.90"	1.90"	1.90"	2.01"	1.77"	1.5"

IMPORTANT REQUIREMENT

Designers and Engineers shall be responsible for the accuracy of system flow rates and especially system head loss requirements. Stated flows and head pressure requirements for any listed spray height are required **AT THE NOZZLE**. Extrapolations for unlisted spray heights are at the sole responsibility of the Designers and/or Engineers.

IMPORTANT

Dimensions, Manufacturers and/or Materials subject to change without notice