

**DESCRIPTION**

The **GEFCO SELECT #SE200 Series Coherent Flow Jet** provides a unique clear uniform stream of water that maintains its structure to the end of its flight path. It is available in three versions. GEFCO Select #SE200 is non variable: no jumping action and no illumination.

GEFCO Select #SE200-L is the same as #SE200, except it is equipped with a 75W 24VAC colored light which travels in the water. The light glows in the flight path of the water to at least the apex and explodes visibly at any point the flight path is interrupted.

GEFCO Select #SE201 is the jumping version with no illumination. The object is to provide only a partial, or section of a stream along the flight path, but in such a way, that the water stream will maintain its original round structure providing it remains undisturbed with little splash on any surrounding surfaces at the impact point providing no interference from interactions of people or wind. Vibration on the floor structure or in the piping will have a profound impact on the erratic behavior of the streams appearance.

In the design layout of these and other water features it is imperative to keep the public's safety in mind and most of all the owner's liability.

These jets provide an unprecedented attraction for people of any age. The space that may be considered for these effects should be expected to be wet at all operating times. These jets will get all surfaces in its trajectory path wet at least once at start-up. These are **NON- SUBMERSIBLE** jets. The trajectories are influenced by any wind movements and interference by any foreign object or vibrations.

**SYSTEM REQUIREMENTS:**

**For best results use 100% filtered (100 MICRON) treated water. Allow a flow rate of 15GPM @ 20' TDH at the jet.**

Long and gradual changes in direction of the piping system is encouraged to obtain the best stream stability and quality. Do not install a valve within 8-10' of the jet.

**TYPICAL SPECIFICATIONS:**

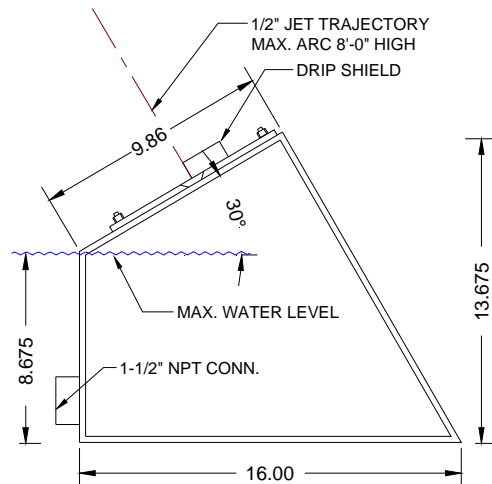
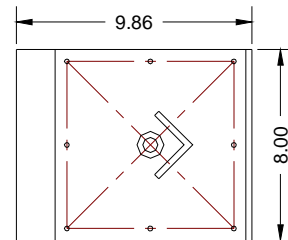
**\*GEFCO Select #SE200 COHERENT FLOW JET:**

- stainless steel tube frame.
- stainless steel covers & fasteners.
- removable filter mechanism.
- adjustable around 360 deg. horizontally
- adjustable 70 deg. from vertical.
- 1-1/2" water supply connection.
- 6' flexible, nylon braided hose
- stainless steel mounting turret.

**\*GEFCO Select #SE200-L COHERENT FLOW JET with ILLUMINATION:**

Same as GEFCO Select #SE200 except add:

- 50 WATT MAX., 12 VAC internal light fixture
- specify color
- 8' of 16/3 cable, type ST



SCALE: NONE

**IMPORTANT REQUIREMENT**

*Designers and Engineers shall be responsible for the accuracy of system flow rates and especially system head loss requirements. Stated flows and head pressure requirements for any listed spray height are required AT THE NOZZLE. Extrapolations for unlisted spray heights are at the sole responsibility of the Designers and/or Engineers.*

**IMPORTANT**

*Dimensions, Manufacturers and/or Materials subject to change without notice*