

DESCRIPTION

The **GEFCO Select #EE108-Series Submersible Junction Box** provides wiring connections for freestanding underwater electrical fixtures or submersed pumps supplied with underwater cable. Available with up to (8) 1/2" side threaded taps and a single 1" female threaded bottom connection, the junction box will screw onto a stubbed-up GEFCO #EE113-10 Slab Conduit. The top of the box is supplied with twelve stainless steel fasteners and a neoprene gasket to ensure a watertight chamber for wire connections. The side entries must be fitted with GEFCO Select #EE112-00 Cord Seals to provide a watertight seal for the underwater cable to enter the box.

The GEFCO Select #EE108 Junction Box is constructed of cast bronze, neoprene gasket and stainless steel fitted. This item is U.L. Listed for submersible applications.

When specifying, please use the following suffix to ensure the proper fitting is provided:

GEFCO Select #EE108-X

- 1 One 1/2" female threaded side tap.
- 2 Two 1/2" female threaded side taps.
- 3 Three 1/2" female threaded side taps.
- 4 Four 1/2" female threaded side taps.
- 5 Five 1/2" female threaded side taps.
- 6 Six 1/2" female threaded side taps.
- 7 Seven 1/2" female threaded side taps.
- 8 Eight 1/2" female threaded side taps.

Note: All GEFCO Select #EE108-Series Junction Boxes are supplied with (1) 1" female threaded bottom tap.

TYPICAL SPECIFICATIONS:

*** GEFCO Select #EE108-X Junction Box:**

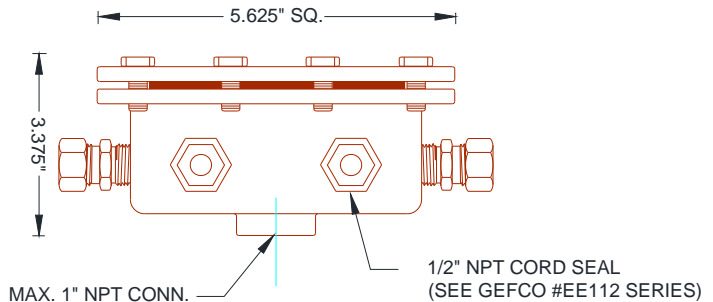
- cast bronze body and cover plate.
- stainless steel cover bolts.
- neoprene cover gasket.
- 36 cu. in. content area.
- external and internal bonding screws.
- U.L. Listed.
- specify 1/2" N.P.T. side tap connection(s).
- 1 ea. 1" N.P.T. bottom conduit connection.

Replacement Parts:

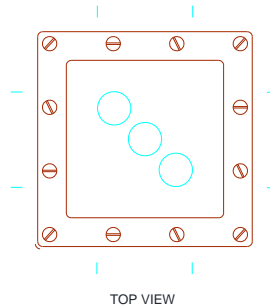
- A Cover Gasket
- B SST Screw Set

IMPORTANT

The designers, installers and end users utilizing the electrical equipment described herein assume full responsibility for the compliance with the N.E.C and it's applicable articles, intents and consequences. Where the manufacturer and/or the supplier of the electrical equipment described herein does not control the application or usage, he assumes no responsibility whatsoever for any consequences arising out of the application, installation and/or usage of this or any other equipment and/or materials



LISTED



TOP VIEW

SCALE: NONE

IMPORTANT INFORMATION

The NEC Section 680.52 (B)(2) specifies that all submersible junction boxes shall be potted with an approved potting compound. Use Scotch Cast #2123C as manufactured by 3M. The use of parafin wax is no longer permitted. Before potting the junction box use plumber's putty to seal of the conduit entrance to prevent leaking of potting compound into the conduit.

IMPORTANT

Dimensions and/or Materials subject to change without notice