

DESCRIPTION

The **GEFCO Select #EE115-AN LEVEL CONTROLLER** is used on fountains with use of automatic fill and low water shut-off functions using a 4-20mA Analog Input. This device measures the water level using either Pressure type or Sonic type 4-20mA sensors and based on preset water depth setpoints as sensed by the level sensor relays that information to the control panel in the form of 2 independently controlled relays (1 for LOW WATER ALARM and 1 for LEVEL Control). Only [programing function is setting the respective water level trigger points.

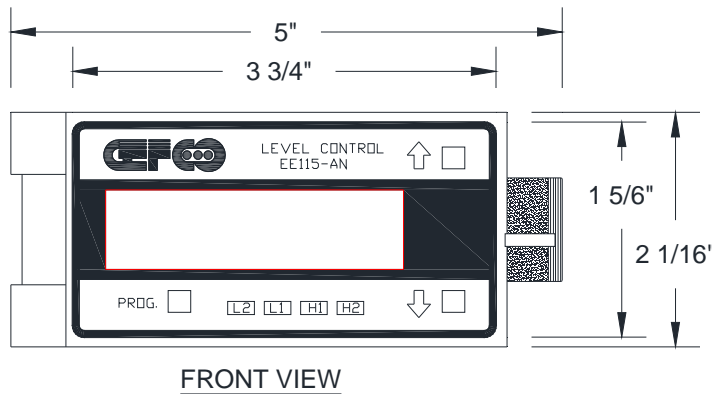
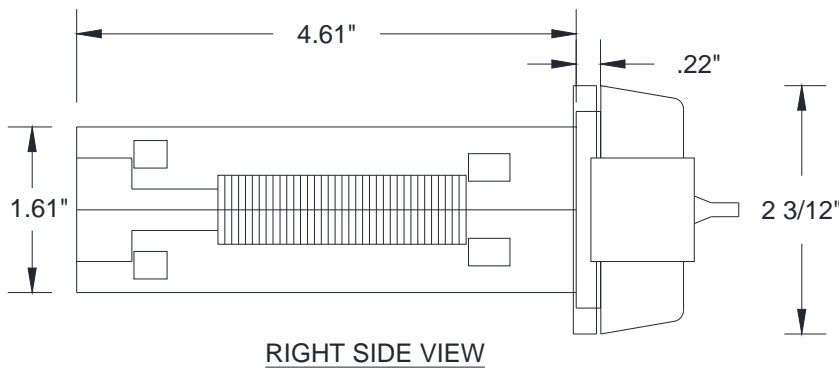
These units are normally built into the fountain control panel but can be mounted separately.

Replacement Parts:

- None

TYPICAL SPECIFICATIONS:

- * **GEFCO Model #EE115-AN** Level Controller:
 - NEMA 4 front face protection.
 - Digital (red) water level readout display; 5/8" numbers.
 - (2) independent relays SPDT; U.L. listed rated at 120V AC 10A.
 - (1) 4-20 mA analog input, loop powered or 4 wire (24VDC).
 - (2) (red) 1/8" dia. pilot light.
 - 120V AC 50/60 HZ power supply.
 - UL Listed (E469078)



IMPORTANT

The designers, installers and end users utilizing the electrical equipment described herein assume full responsibility for the compliance with the N.E.C and it's applicable articles, intents and consequences. Where the manufacturer and/or the supplier of the electrical equipment described herein does not control the application or usage, he assumes no responsibility whatsoever for any consequences arising out of the application, installation and/or usage of this or any other equipment and/or materials



LISTED

IMPORTANT

Dimensions and/or Materials subject to change without notice