



GEFCO SELECT EE152 Series DMX COLOR LED Lights

DESCRIPTION

The **GEFCO Select #EE152WODMX COLOR LED Submersible Walk-Over Light Fixture** is constructed to provide relative narrow dispersion of light and provides an approx. 1.6 Million computer controlled color rendition including pure white for low to medium range height spray effects or waterfalls. The fixture can also be equipped with single color (optional DMX controlled) **WHITE** lighting boards (see GEFCO Select #EE152WOC-ZZ). They can also be mounted in a freestanding or niche mounted application. The light has available projection beam angles of 20° and 35°. It is equipped with a flat armored glass lens. This light should be operated submerged up to 12" (30CM), wet location OK.

DO NOT operate DRY!

For best light disbursement flat armored lens configuration is recommended.

Limits for this fixture is 30 Watts @ 24VDC or 12VAC. These fixtures must be connected to a common commercially available Class 2 24VDC Power Supplies or a U.L. Listed 12VAC Swimming Pool Transformer (SOLD SEPARATELY). Connections are made to standard U.L. Listed underwater junction boxes such as GEFCO Select #EE106, #EE108 or #EE110 series using U.L. Listed cord seals such as GEFCO Select #EE112-01 Series Cord Seals.

Each light is DMX addressable by serial number at the time of installation using a DMX lighting address unit (sold separately) mounted in the field or at the factory. Each light uses 3 or 4 DMX channels. This light can be controlled from a GEFCO Select #EE960 DMX Dual Universe Controller, a GEFCO Select #EE965 or #EE966 MUSIC Multimedia Dual Universe Show Controller (ORDER SEPARATELY) that will control up to 170 RGB or 128 RGBW light fixtures per universe or any other third party DMX512 standard show controller.

This light should be operated submerged up to 12" (30CM), wet location OK.

DO NOT operate DRY.

TYPICAL SPECIFICATIONS:

* GEFCO Select #EE152WODMX-ZZ COLOR LED Walk-Over Submersible Light Fixture:

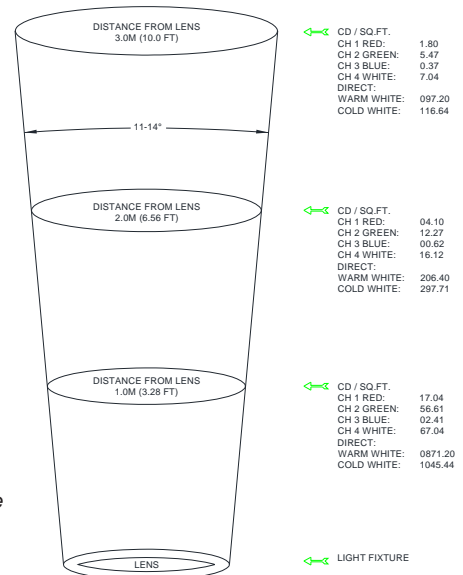
- cast bronze body and flush mounted face ring, SST fitted.
- COLOR LED Lighting Board with ON-BOARD DMX.
- U.L. Listed: 30W @ 24 VDC or 12VAC (Specify).
- 22.5W RGB or
- 30W RGBW. (Specify).
- 9 feet of (18/5) single SOOW cable.
- ZZ = beam angle specify 20° or 35° (20° standard)
- flat armored lens.
- silicon lens gaskets.
- rated IP68 to 30CM, for use in wet conditions.
- SST Deck mounting frame, 10: dia. 4" high.
- **NO ROCK GUARD REQUIRED.**
- **DMX CONTROLLER NOT INCLUDED.**

OPTIONAL ITEMS:

- ZZ = Beam angles. Available are 20° or 35° (specify).
- GEFCO Select #EE960 RGB/ RGBW 512/1024-Channel DMX Controller.
- GEFCO Select #EE965 or #EE966 Multimedia 1024-Channel DMX Show Controller.
- CORD LENGTH - Cable longer than 9'- 0" is optional and can be supplied at an extra cost. However, only 10'- 0" of **exposed** cable is permissible per NEC.

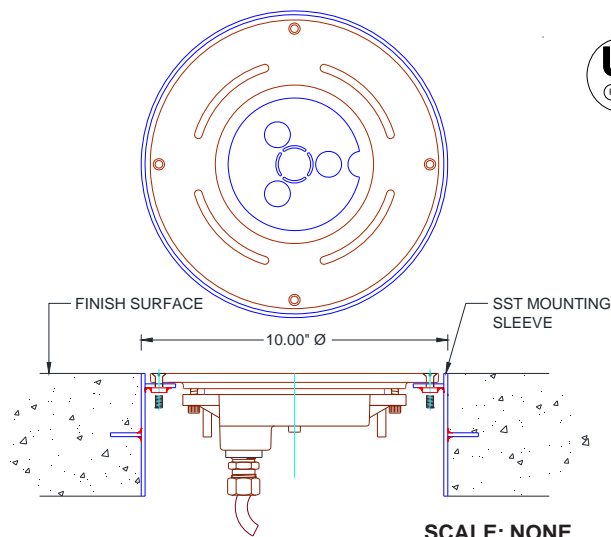
IMPORTANT

The designers, installers and end users utilizing the electrical equipment described herein assume full responsibility for the compliance with the N.E.C. and it's applicable articles, intents and consequences. Where the manufacturer and/or the supplier of the electrical equipment described herein does not control the application or usage, he assumes no responsibility whatsoever for any consequences arising out of the application, installation and/or usage of this or any other equipment and/or materials.



IMPORTANT

Dimensions and/or Materials subject to change without notice



LISTED