

DESCRIPTION

The **GEFCO Select #EE154NHVDMX Color LED Submersible Niche Mounted Light Fixture** is constructed to provide relative narrow dispersion of light and provides an approx. 1.6 Million computer controlled color rendition for low to medium range height spray effects or waterfalls. The fixture can also be equipped with single colored (optional DMX controlled) lighting boards in solid white, green, red, blue and amber (see GEFCO Select #EE154NHVC). They can also be mounted in a slab hung or niche mounted application. The light has available projection beam angles of up to 45°. It is equipped with a clear convex glass lens (flat lens optional). Variance in the height can be achieved by adjusting the stand to the elevation desired.

Limits for this fixture is 100 Watts MAX. at 120VAC. These fixtures must be connected to a common commercially available U.L. Listed Class A GFCI circuit breaker. Connections are made to standard U.L. Listed underwater junction boxes such as GEFCO Select #EE106, #EE108 or #EE110 series using U.L. Listed cord seals such as GEFCO Select #EE112-01 Series Cord Seals.

Each COLOR LED light is DMX addressable by serial number at the time of installation using a DMX lighting address unit (sold separately) mounted in the field or at the factory. Each light uses 3, 4 or 5 DMX channels. This light can be controlled from a GEFCO Select #EE960 DMX Dual Universe Controller, a GEFCO Select #EE965 or #EE966 MUSIC Multimedia Dual Universe Show Controller (ORDER SEPARATELY) that will control up to 170 RGB, 128 RGBW or 100 RGBAW light fixtures per universe or any other third party DMX512 standard show controller. This light should be operated submerged up to 12" (30CM), wet location OK.

DUSE ONLY IN WET OR SUBMERGED LOCATIONS
!!!DO NOT USE IN DRY CONDITION!!!

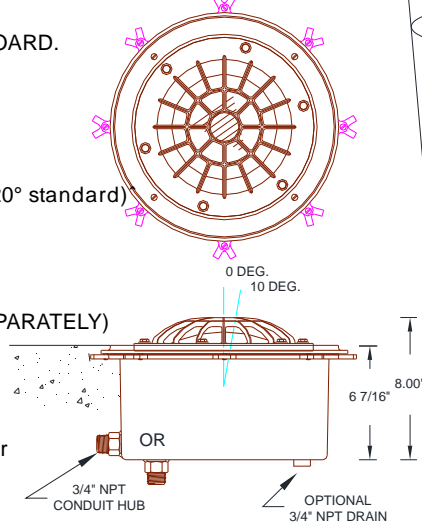
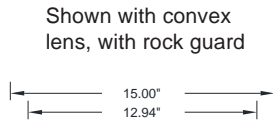


For best light disbursement the flat lens configuration is recommended.

TYPICAL SPECIFICATIONS:

*** GEFCO Select #EE154NHVDMX-ZZ COLOR LED Niche Mounted Submersible Light Fixture:**

- cast bronze body & face ring, SST fitted.
- 6 LED 5 Color Lighting Board with DMX ON BOARD.
- U.L. Listed: 100 Watt @ 120VAC MAX
- 63W RGB, OR
- 85W RGBW, OR
- 100W RGBAW. (SPECIFY).
- 9 feet of (18/5) single SOOW cable.
- ZZ = beam angle specify 7°, 14°, 30° or 45° (20° standard)
- clear tempered convex glass lens.
- silicon lens gaskets.
- bronze, brass and SST fitted mounting niche..
- rated IP68 to 30CM, for use in wet conditions.
- **ROCK GUARD NOT INCLUDED (ORDER SEPARATELY)**
- **DMX CONTROLLER NOT INCLUDED.**



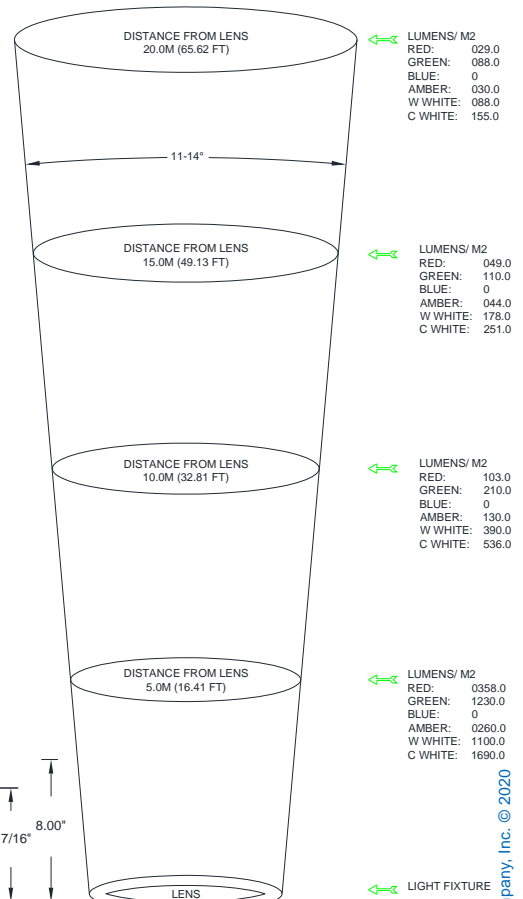
SCALE: NONE

OPTIONAL ITEMS:

- CORD LENGTH - Cable longer than 9'- 0" is optional and can be supplied at an extra cost. However, only 10'- 0" of **exposed** cable is permissible per NEC.

IMPORTANT

The designers, installers and end users utilizing the electrical equipment described herein assume full responsibility for the compliance with the N.E.C. and it's applicable articles, intents and consequences. Where the manufacturer and/or the supplier of the electrical equipment described herein does not control the application or usage, he assumes no responsibility whatsoever for any consequences arising out of the application, installation and/or usage of this or any other equipment and/or materials.



IMPORTANT

Dimensions and/or Materials subject to change without notice