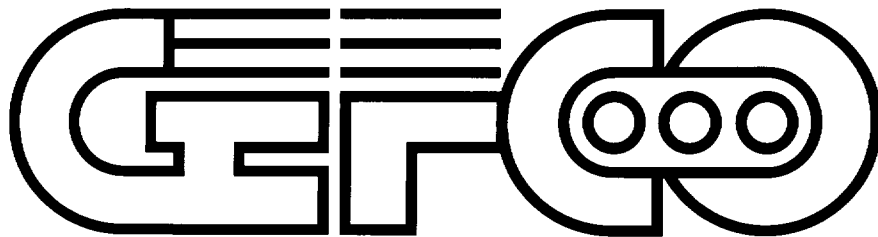


***GEORGIA FOUNTAIN
COMPANY, INC.***



**Submersible Fountain Pump Kits
2020**

2513 Royal Place
Tucker, GA USA 30084

Phone No. +1 (770) 934-3297
Fax No. +1 (770) 934-8770

<http://www.georgiafountain.com>

CONTENTS

INTRODUCTION	3
Typical Submersible Fountain Kit	4
FOUNTAIN EFFECTS	
Ordering Guide	5

INTRODUCTION

Georgia Fountain Company's years of experience as a manufacturer of complete architectural fountain equipment has enabled us to develop a unique systems approach to fountain design. Our own equipment, machine shop and electrical and electronic production facilities give us the capability to design and produce the highest quality Submersible Fountain System Kits available.

The Submersible Fountain System Kit is the easiest fountain system to install because its parts are pre-selected to operate as a package. For smaller fountains, it also offers the lowest installed costs. These type of fountains rely on all bronze submersible pumps which are available up to 1 horsepower. No cast iron or other materials that will corrode are used. Filtration equipment is not a standard with this type of system but is highly recommended for longer equipment life and sparkling clean water. A fountain without filtration will require much more maintenance. The fountain lighting equipment is also prepackaged to match the water effects. Each system has a recommended lighting option. The amount of light recommendation is for typical applications. More lighting should be considered for high ambient lighting conditions or to create more emphasis on the water effects. Refer to the accessories section for complete filtration, colored lighting, water level control, wind control, pool overflow and drain equipment.

A typical Submersible Fountain Kit System is shown in the

illustration on the opposite page. The heart of the Submersible Fountain Kit System is the bronze submersible pump with integral debris screen. This high quality pump (item 3) is matched to the exact requirement of the selected water effect for each system. The water effects are created by precision engineered nozzles and spray rings (items 1 and 2). The submersible pump and nozzles are connected by custom built brass and copper manifolds (item 4). The manifold is provided with bronze ball vales to regulate the flow and pressure requirements of each effect. Each valve has a bronze handle that is easily removed after final adjustment. All of the standard systems are designed for 18" minimum water depth. For special design considerations, including water depth, see the Optional and Special Equipment section of this catalog or contact your Georgia Fountain Company representative.

One or more UL Listed bronze junction boxes (item 5) are provided to terminate the cord connections of the electrical equipment. The electrical conduit penetrations through the floor or walls should be made out of brass. To prevent leakage of pool water, a waterstop device should be set in the concrete. This can be provided by the installing contractor or ordered separately from the Fountain Components section of the GEFCO general catalog. The UL Listed bronze underwater lighting fixtures (item 6) are connected by flexible SO type cord to the junction boxes. Using the proper equipment ground and ground fault circuit interrupter (GFCI) breakers for all electrical equipment in the pool per the National Electric Codes is mandatory.

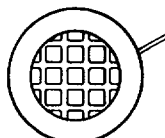
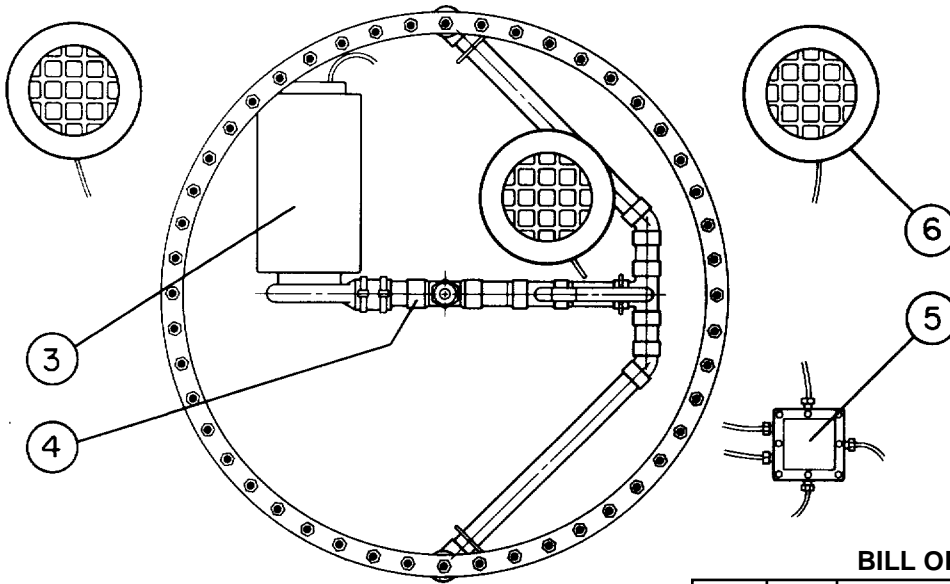
One-Year Limited Products Warranty

Georgia Fountain Company, Inc. warrants its products against defects in materials and workmanship. Without charge, Georgia Fountain Company will either repair or replace (Georgia Fountain Company reserves the right to determine between repair or replacement) on properly installed GEFCO product which fails under normal operating conditions within one year from the date of installation, provided it is returned to the factory, transportation prepaid, and upon our inspection determines it to be defective under the terms of this warranty.

The warranty covers only equipment manufactured by Georgia Fountain Company, Inc. and does not extend to transportation, installation or replacement charges; nor does it apply to any equipment of another manufacturer used in conjunction with Georgia Fountain Company, Inc. No other warranty, express or implied, exists beyond that included in this statement.

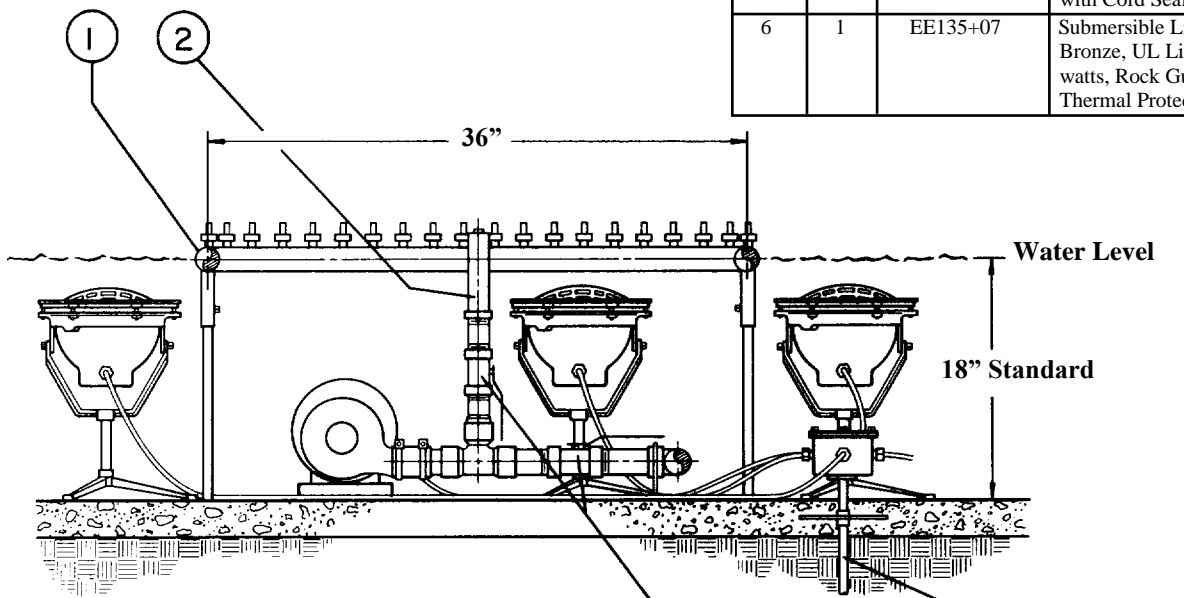
SAFETY WARNING

Electrical equipment installed in the proximity of people and water can cause fatal electrical shock when not installed properly. All electrical equipment supplied by Georgia Fountain Company, Inc. must be installed in accordance with the National Electric Code standards by qualified electrical contractors. This equipment must be maintained regularly after installation to prevent accidents.



BILL OF MATERIALS

ITEM	QTY.	CATALOG NO.	DESCRIPTION
1	1	SE108-036	Spray Ring; Copper; 36" Diameter.
2	1	SE104-10	Aeration Jet, Brass, 1" NPT
3	1	PM401-05	Submersible Pump; 1/2 HP
4	1	M-205-36	Copper Manifold with Bronze Valve.
5	1	EE108-05	Submersible Junction Box with Cord Seals.
6	1	EE135+07	Submersible Light Fixture, Bronze, UL Listed, 250 watts, Rock Guard and Thermal Protection.



NOTES

1. Underwater electrical equipment must be installed in compliance with the 2014 National Electric Code, Section 680, and all Local Codes.
2. A Ground Fault Circuit Interrupter (GFCI) must be installed on all circuits supplying fountain equipment.
3. Junction Box must be potted with re-enterable compound or other approved Potting Compound. The use of paraffin wax is NOT PERMITTED

Balancing Valve on Manifold

Brass Conduit

Title: Inside Fall Spray Ring with Aerated Jet Stream - Submersible Fountain Kit	
Scale: None	Catalog No.: #FK205-36-L
Date: 11/1/14	Sheet 1 of 1

FOUNTAIN EFFECTS

FK205-Series



Inside Fall Spray with Aeration Jet

Standard Features					Lighting Options
Catalog Number	Maximum Height in Feet	Maximum Spread in Feet	Minimum Pool in Feet	60 Cycle Pump Horsepower	Lighting Suffix (Quantity /Total Watts)
205-36	6	3	12	1/2 Hp (120)	(5 / 1250)
205-48	8	4	16	1/2 Hp (120)	(5 / 1250)
205-72	12	6	24	(2) 3/4 Hp (120)	(8 / 2000)

Ordering Guide

To order a Georgia Fountain Company, Submersible Fountain Kit system, first select the desired water effect (Series) from the following pages. Accompanying each illustration is a chart that lists the standard features and available lighting option for each catalog number of the series. Each catalog number denotes a basic fountain system. To this basic system, add the suffix of the selected option to form the complete catalog number.

As an example, the FK205-Series illustration and chart is shown above.

STANDARD FEATURES

Catalog Number -- Basic fountain system. The first number represents a particular water effect. The second number is a code for the size of the water effect.

Maximum Height -- Refers to the height of the tallest water effect.

Maximum Spread -- Refers to the diameter of the water effect.

Minimum Pool Diameter -- This is provided as a guide to eliminate splash and over spray problems. This pool diameter is for normal wind conditions in outdoor fountains. Over spray can be expected during very windy conditions. If you have any questions about a particular application or pool diameter, consult a Georgia Fountain Company, Inc. representative or the factory.

60 Cycle Pump Horsepower -- The standard submersible pump system is 60 cycles, 120/240 volt, 1 phase.

OPTIONS

Standard Lighting Option -- The recommended Lighting Option is listed. This includes the number of

clear lights, total connected load and wattages. See the Lighting Systems section, page 20, for more information. To add the standard lighting option to the Fountain Kit package use the suffix (L) after the catalog number.

EXAMPLE

To order a FK205-Series Submersible Fountain Kit system with a maximum water effect spray height of 8 feet, a maximum spray spread of 4 feet and with the standard lighting option, use the following catalog number:

FK205-48-L

Accessories, such as filtration kits, are ordered separately. Refer to the Accessories section of this catalog for more information.