

**DESCRIPTION**

The **GEFCO Select #PE100 Surface Skimmer** is placed in pool walls providing suction of surface water to remove and collect floating debris that may fall into the fountain.

Of Cicolac construction with integral water stop flange provides for a simple installation in concrete walls. The center of the skimmer is placed at operating water level and provides an 1-1/2" N.P.T. female connection for piping connection.

One skimmer will accommodate approximately 450 square feet of pool area but more may be needed depending on the pool surface configuration. It is recommended that the wall in which the skimmer is to be placed have a minimum thickness of 12". The collection basket for floating debris is removable through the front face opening of this fitting.

**TYPICAL SPECIFICATIONS:**

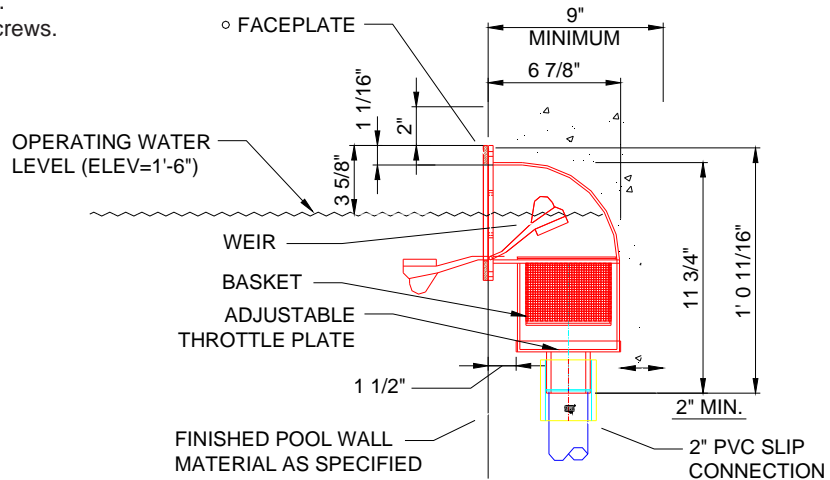
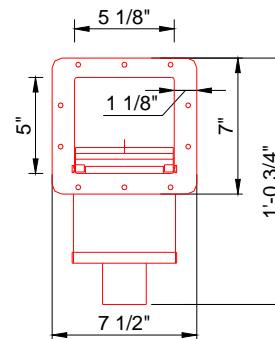
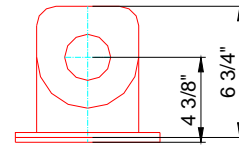
**\*GEFCO Select #PE100-1 Surface Skimmer:**

- hi-impact plastic body.
- white plastic weir.
- front access removable debris basket.
- brass face plate with stainless steel screws.
- 1-1/2" female N.P.T. connection.

\* For cicolac face plate specify  
**GEFCO Select #PE100 Skimmer.**

**REPLACEMENT PARTS:**

- A Brass face plate
- B Plastic face plate
- C Debris Basket
- D Weir plate
- E Weir plate hinges



**IMPORTANT**

*Dimensions and/or Materials subject to change without notice*

**IMPORTANT**

- use TEFLON tape or paste everwhere.
- protect threads during concrete pour.