

**DESCRIPTION**

The **GEFCO Select #PE103-3 Drain Fitting** is used in small to medium sized basins where volumes of water do not exceed 5000 gallons or if quick draining of larger pools is not a necessity. A base of bronze with integral water stop flange is to be embedded into pool floor and possesses 3" NPT connections at either end. The removable brass plug has 3" male threads for a tight seal.

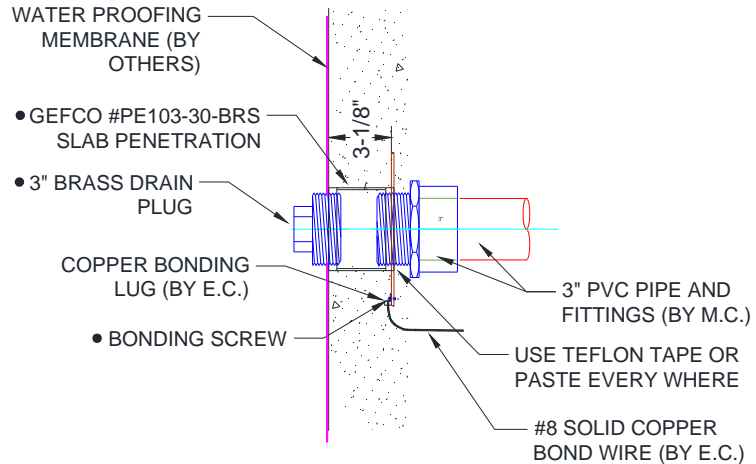
**TYPICAL SPECIFICATIONS:**

**\* GEFCO Select #PE103-3 Pool Drain Fitting:**

- 3" cast bronze body with integral water stop flange.
- 3" brass square plug with 3" NPT male connection.
- Optional: 3" brass flush square plug, 3" NPT.
- bonding screw.
- 3" female NPT/NPS base connection.

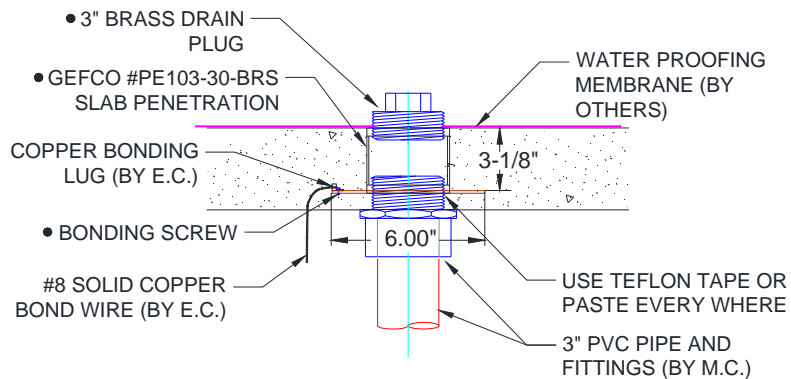
**REPLACEMENT PARTS:**

- 1 3" Drain plug.



**IMPORTANT**

- use TEFLON tape or paste everywhere.
- protect threads during concrete pour.
- Use temporary PVC HEX plug



**IMPORTANT**

*Dimensions and/or Materials  
subject to change without notice*

SCALE: NONE