



## GEFCO SELECT Model PM100-05 Series Pumps

### DESCRIPTION

The **GEFCO Select #PM100-05 Series Small Commercial Plastic Pump** has set the standard for pool pumps since 2000. It is unequalled in dependability and performance. The unique qualities of the heavy injection mold casting and design have the ability to withstand the elements, the stress of a long work day, and an unsurpassed quietness of operation. This allows you to use your fountain, without having to listen to it. Couple these features with the self-cleaning impeller and you have purchased a durable uncomplaining workhorse.

\* Full performance range, 1/2 through 3 horsepower; from a small pool to a 48,000 gallon fountain. It is specifically designed for the back washing requirements of diatomaceous earth or sand filters and the flow demands of interactive systems and cartridge filters..

\* Commercial grade, full-Y56 frame electric motor using stainless steel shafts, heavy duty bearings, and automatic overload protection. Available in Single-phase, three-phase, 60 Hz.

\* Rapid priming means less chance of seal burn out, and less waiting after cleaning the basket.

\* Self-cleaning, balanced High Impact Plastic impeller increases service life of the pump and the motor.

\* Commercial size 6" diameter strainer basket requires emptying less often than standard 4" and 5" strainers. Special high density polyethylene construction neither rusts nor gets brittle as other inexpensive substitutes can.

\* High Temperature Injection Molding Plastic construction offers the unequalled service life and operating quietness required of commercial and residential installations.

\* One piece design of the hair/lint pot and pump, offers quietness of operation, requires less space for installation, and is less time consuming for service.

\* Underwriters Laboratory is a consumer safety, product testing organization. The Pump is tested and listed by Underwriters Laboratory.

\* National Sanitation Foundation is a testing organization for commercial use equipment. The GEFCO Select #PM100-05 Series Pump is listed with the National Sanitation Foundation.

\* Suction size is 2" pipe size, discharge is 2" pipe size. Lengths vary from 18" for 1/2 HP to 26" for 3 HP.

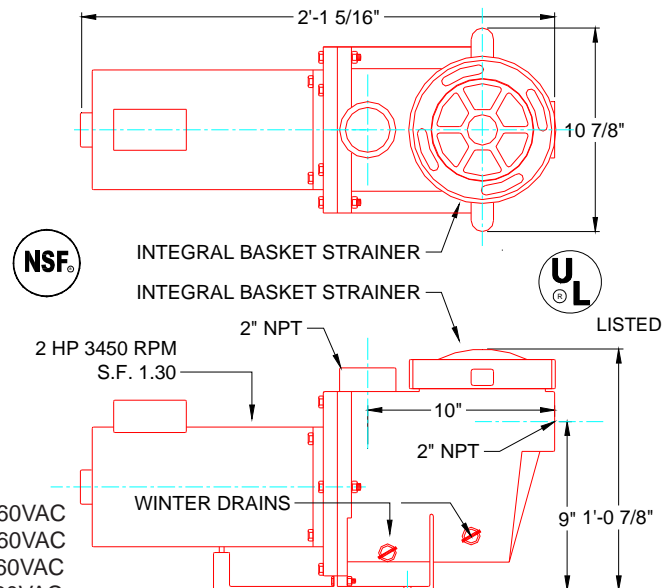
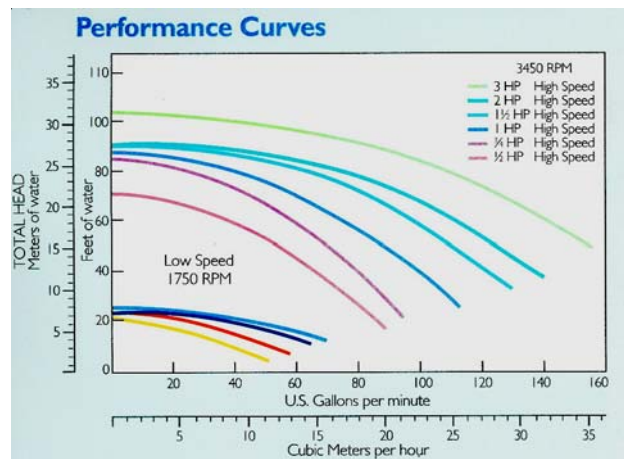
#### Available Models:

PM101 1/2HP 1Ph 120/240 VAC	PM108 3/4HP 3Ph 208/230/460VAC
PM102 3/4HP 1Ph 120/240 VAC	PM109 1.0HP 3Ph 208/230/460VAC
PM103 1.0HP 1Ph 120/240 VAC	PM110 1.5HP 3Ph 208/230/460VAC
PM104 1.5HP 1Ph 120/240 VAC	PM111 2.0HP 3Ph 208/230/460VAC
PM105 2.0HP 1Ph 120/240 VAC	PM112 3.0HP 3Ph 208/230/460VAC
PM106 3.0HP 1Ph 120/240 VAC	

### TYPICAL SPECIFICATIONS:

\* **GEFCO Select #PM-1XX-05 Series Filter Pump:**

- XX HP, XX VAC, 1 (or 3) phase, 3450 RPM delivering XX GPM at XX ft TDH (specify).
- Made of Injection Molding High Temperature Thermo Plastic.
- XX HP (specify)
- XX Volts (specify) YY Phase (specify)
- Integral basket strainer
- 2" NPT Suction, 2 NPT Discharge.
- 2 ea. winter drains



Georgia Fountain Company, Inc. © 2020