

DESCRIPTION:

GEFCO Select #SE115-Series Directional Adjustable Water Castle Jets create a 3 tiered or also known as the Fleur De Lis effect. They are made of cast bronze and copper flow diverters.

Unlike the -02 through -13 Series water castle jets these castle jets have adjustable jets to allow changing of spray pattern angles and much higher spray heights.

For sizing of pools use this formula: 2 x spray height = minimum diameter of pool. Proper suction straining must be specified. 100% filtered water is recommended where feasible.

The GEFCO Select #SE137-Series Adjustment Flange is designed to correct the vertical adjustment of spray heads up to 5 degrees off of vertical, for larger adjustments use a GEFCO Select #SE138-Series Swivel Union (both #SE137 and #SE138 Series can be ordered separately).

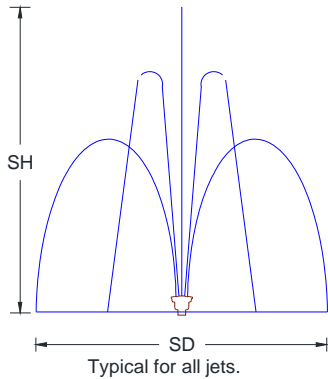
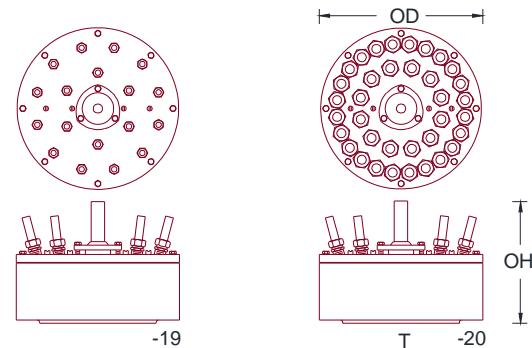
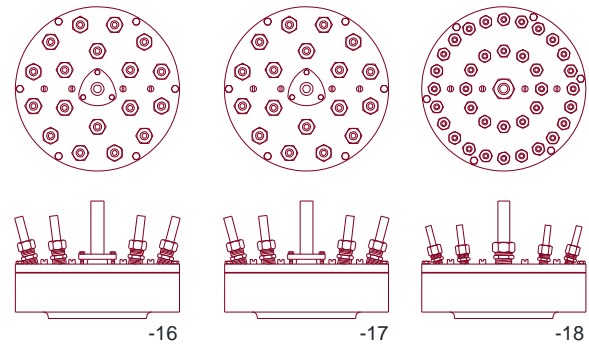
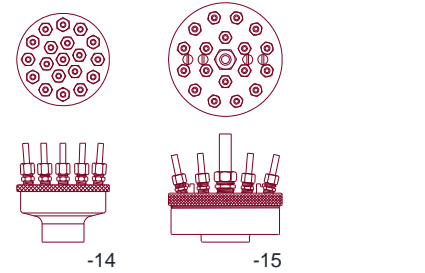
The GEFCO Select #SE115-Series Water Castle Jet can be installed on a GEFCO #PE109-Series Slab Penetration which will provide a rigid, non-corrosive waterproofing penetration.

TYPICAL SPECIFICATIONS:

- * **GEFCO Select #SE115-XX** Water Castle Jet:
 - made of cast bronze and brass.
 - copper flow diverters.
 - (N) (OX)" dia. holes (specify).
 - (T) NPT female connection (specify).

ADDITIONAL INFORMATION:

- Refer to SS at each jet table for suction size.
- 100% Filtered water recommended.



DIMENSIONS:		-14		-15		-16		-17		-18		-19		-20						
SE115																				
T		1 1/4"		2"		2-1/2"		3"		3"		4"		6"						
OH		4.850"		7.10"		7.30"		7.30"		7.10"		11.00"		11.00"						
OD		4.340"		7.10"		10.25"		10.25"		10.25"		15.30"		15.30"						
N		19		19		19		19		37		19		37						
SS		0.080"		0.100"		0.187"		.187"		0.100"		0.250"		0.250"						
PERFORMANCES:																				
SH	SD	GPM	FH	SD	GPM	FH	SD	GPM	FH	SD	GPM	FH	SD	GPM	FH	SD	GPM	FH		
8		22	12	48	14	14		96	11		172	20		107	12		281	14	515	14
10		26	14	53	17	17		119	17		196	26		130	18		387	21	662	21
15		34	21	69	26	26		140	33		242	42		162	24		429	27	774	27
20		45	32	82	32	32		183	49		341	43		204	36		496	40	993	40
25				95	41	41		220	63		423	58		271	48		600	66	1220	66
30	VARIABLE 2X SH										499	70					713	79	1350	79
40																	818	104	1400	104
50																	860	130	1500	130
60																				
80																				
100																				

IMPORTANT REQUIREMENT

Designers and Engineers shall be responsible for the accuracy of system flow rates and especially system head loss requirements. Stated flows and head pressure requirements for any listed spray height are required AT THE NOZZLE. Extrapolations for unlisted spray heights are at the sole responsibility of the Designers and/or Engineers.

IMPORTANT

Dimensions, Manufacturers and/or Materials subject to change without notice