

DESCRIPTION

The GEFCO #SE900-2 MODULAR OPEN DECK JET SYSTEM has been in use since 1986 in the use for designs of dry plaza fountains. This modular deck jet system is open to a reservoir below and can be equipped with any number of types of water level independent jets as well as water switch technology. The sample shown in this model is a GEFCO Select #SE214 waterswitch operated GEFCO Select SE112 Waterlevel Independent Aeration Jet with the GEFCO #EE176 30W 24VDC or 12VAC LED Ring Light, operating at 12-14VAC or 24VDC (SPECIFY) with the lighting system (SOLD SEPERATELY) controlled by DMX512 protocol. The modular deck jet system can be equipped without light and/or water switch options.

TYPICAL SPECIFICATIONS:

*** GEFCO Select #SE900-2 Modular Open Deck Jet System:**

- #16 Gauge SST niche.
- 2" or 3" NPT drain connection, SST.
- 1" or 1-1/2" jet supply connection, SST.
- cast bronze floor frame.
- 0.500" thick machined LEXAN cover.
- SST fitted.
- weight limit: 200 PSI
- **Light NOT INCLUDED**
- **WATERSWITCH NOT INCLUDED**

OPTIONS ADD:

- GEFCO Select #EE176 RGB LED Light.
 - GEFCO Select #EE176 RGBW LED Light.
 - GEFCO Select #EE176 RGBWA LED Light.
 - VOLTAGE: 24VDC or 12VAC.
 - GEFCO Select #SE200 Series Water Switch.
 - VOLTAGE: 24VDC or 12VAC (Specify).
 - GEFCO Select #EE Electrical Gear.
 - GEFCO Select #SE Spray effects.
- See catalog for the above items.

OTHER Options:

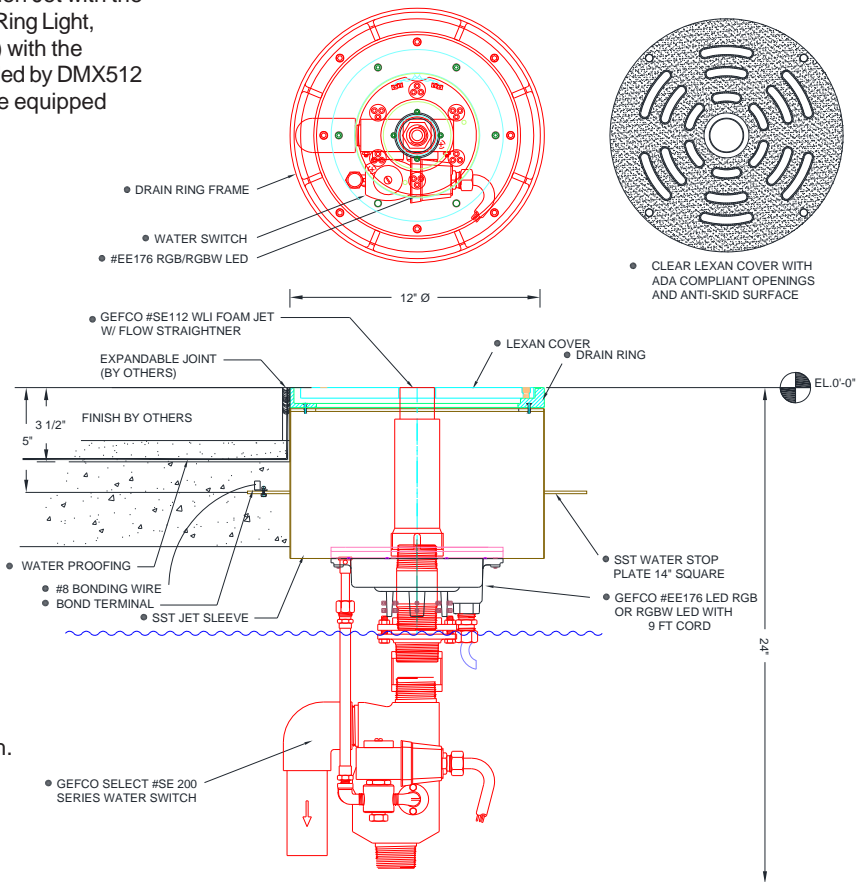
- Other jet and light combinations available.
- LED lights WITHOUT DMX color control.
- Junction Box and cord seal connections.

IMPORTANT NOTE:

- * **WEIGHT LIMIT IS 2000 lbs. / sq.ft.**
- * install in a position to AVOID flooding of the surrounding area.
- * DO NOT install in a depressed position to allow the collection of debris.

IMPORTANT

Dimensions and/or Materials subject to change without notice



IMPORTANT

The designers, installers and end users utilizing the electrical equipment described herein assume full responsibility for the compliance with the N.E.C and it's applicable articles, intents and consequences. Where the manufacturer and/or the supplier of the electrical equipment described herein does not control the application or usage, he assumes no responsibility whatsoever for any consequences arising out of the application, installation and/or usage of this or any other equipment and/or materials